

VIA
ARTiGO A920

Fanless ultra-compact 4K
Android digital signage, M2M
& IoT gateway applications



Features

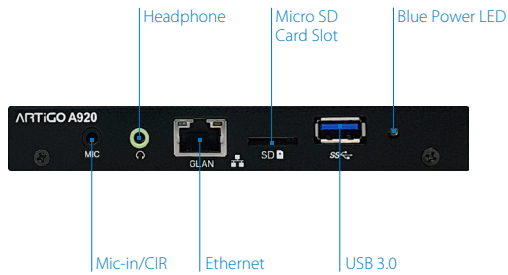
- Qualcomm® APQ8096SG Embedded Processor
- Supports 4K display resolution
- Designed for Android operating system
- Optional Wi-Fi and Bluetooth 4.1
- 4G module support

Specifications

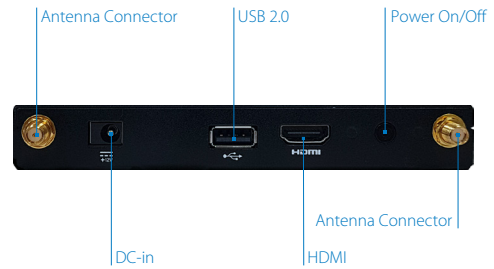
Model Name	ARTiGO A920
Processor	Qualcomm® APQ8096SG Embedded Processor - Two high-performance Kryo cores up to 2.342GHz - Two low power Kryo cores up to 1.593GHz
System Memory	4GB POP LPDDR4 SDRAM
Storage	16GB eMMC Flash memory Micro SD card slot
Graphics	Qualcomm® Adreno™ 530 GPU 3D graphics accelerator with 64-bit addressing 624MHz Graphics engine supporting OpenGL ES 3.1/GEP, GL4.4, DX11.3/4, OpenCL 2.0, Renderscript-Next Supports H.264, VP8, HEVC 8/10-bit, VP9 video decoding up to: 4K@60fps 1080p@240fps, 8 x 1080p@30fps
Trusted Platform Module	TPM1.2 : ST33TPM12I2C
Wireless Connectivity	NFA324A-12H32 QCA6174A-1 Wi-Fi 802.11a/b/g/n/ac + BT 4.1 combo LGA module
Audio	WCD9335 Audio Codec AMP 8810
HDMI	Integrated HDMI 2.0 transmitter
Expansion I/O	1 COM connector (TX/RX only for debugging) 1 SIM card slot (4G) 1 M.2 slot (for optional 4G module)
Front Panel I/O	1 USB 3.0 port 1 Gigabit Ethernet port 1 Micro SD card slot 1 Headphone jack 1 Mic-in, CIR (Optional) 1 Blue Power LED
Back Panel I/O	1 HDMI 2.0 port 1 USB 2.0 port 1 Power button 2 Antenna holes for Wi-Fi or optional 4G 1 DC-in jack (supports power-on)
Power Supply	12V DC-in (typical: 5W)
Operating System	Android 8.0
VIA Smart ETK	Wake-On-LAN, Watchdog timer
Operating Temperature	0°C ~ 40°C
Operating Humidity	0% ~ 90% @ 40° C (non-condensing)
Storage Temperature	-20°C ~ 70°C
Mechanical Construction	Aluminum top cover Metal chassis housing
Mounting	VESA mount (100mm x 100mm) (optional)
Dimensions	140mm(W) x 20mm(H) x 97.2mm(D) (5.51" x 0.79" x 3.83")
Weight	0.45kg (0.99lbs)
Compliance	CE, FCC CCC (ATG-A920-2Q23A1 sku only)



Front Panel External I/O



Back Panel External I/O



Ordering Information

Part Number	SoC Frequency	Description
ATG-A920-1Q23A1	Qualcomm® APQ8096SG Embedded Processor @ 2.342GHz/1.593GHz	Android system with 2.342GHz Qualcomm® APQ8096SG Embedded Processor, 16GB eMMC, 4GB POP LPDDR4 RAM, HDMI, USB 3.0, USB 2.0, GPIO, COM, Gigabit Ethernet, S-Link, M.2 slot (for 4G module only), SIM card slot, Micro SD card slot, 12V DC-in
ATG-A920 -2Q23A1	Qualcomm® APQ8096SG Embedded Processor @ 2.342GHz/1.593GHz	Android system with 2.342GHz Qualcomm® APQ8096SG Embedded Processor, 16GB eMMC, 4GB POP LPDDR4 RAM, HDMI, USB 3.0, USB 2.0, GPIO, COM, Gigabit Ethernet, M.2 slot (for 4G module only), SIM card slot, Micro SD card slot, 12V DC-in

Optional Accessories

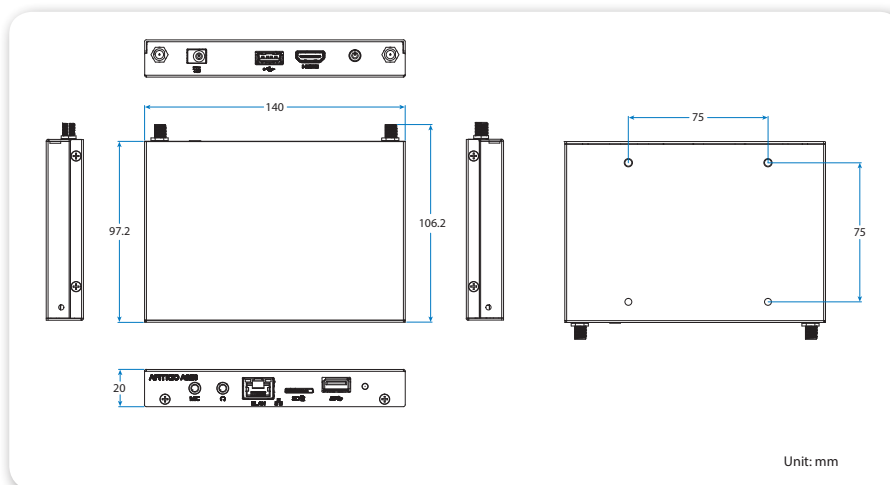
Mounting Options

Part Number	Description
A000000018010-T	VESA mount bracket

Cable Accessories

Part Number	Description
99G33-193428	Consumer Infrared (CIR) receiver cable
99G33-080297	Debug cable (TX/RX)

Dimensions



Packing List

Items
ARTiGO A920 system
AC-to-DC adapter
Power cord (USA type)
2 Wi-Fi antennas (ATG-A920-1Q23A1 sku only)